

# ISUZU

## SPECIFICATIONS

### FSR PRO – FSR90SU-NC-2E



\* Actual vehicle specification may vary from picture shown above.

## NO.1 COMMERCIAL VEHICLE BRAND IN MALAYSIA

### OVERVIEW

**GVW** : 11,000 kg

**POWER** : 210 PS @ 2,600 rpm

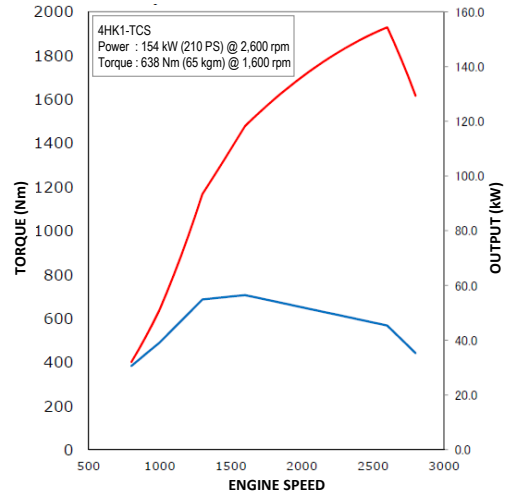
**TORQUE** : 638 Nm @ 1,600 rpm

- Emission: EURO II
- Turbocharger with Intercooler
- Common Rail Direct Injection
- JPJ STEP 2 ECE Compliance

**POWERTRAIN & CHASSIS**

**ENGINE**

**CODE** : 4HK1-TCS  
**TYPE** : 4 Cylinder In-line, OHC  
**DISPLACEMENT** : 5,193 cc  
**COMPRESSION RATIO** : 17.5:1  
**BORE x STROKE** : 115 mm x 125 mm  
**MAX. POWER** : 154 kW (210 PS) @ 2,600 rpm  
**MAX. TORQUE** : 638 Nm (65 kgm) @ 1,600 rpm  
**INDUCTION SYSYTEM** : Turbocharger with Intercooler  
**FUEL INJECTION** : Direct Injection with Common Rail  
**EMISSION** : EURO 2  
**SPEED LIMITER** : Equipped 90 km/h



**TRANSMISSION**

**CODE** : ISUZU MZW-6P  
**NO. OF SPEED** : 6  
**GEAR RATIOS [:1]** :

1 <sup>ST</sup>	2 <sup>ND</sup>	3 <sup>RD</sup>	4 <sup>TH</sup>	5 <sup>TH</sup>	6 <sup>TH</sup>	Reverse	Final
6.615	4.095	2.358	1.531	1.000	0.722	6.615	5.571

**CLUTCH**

**TYPE** : Clutch Air Assisted, Dry Single Plate, Coil Spring  
**SIZE** : Φ350 mm

**AXLES**

**FRONT TYPE** : Reverse Elliot I-Beam  
**FRONT AXLE CAPACITY** : 3,600 kg  
**REAR TYPE** : Single Reduction Banjo Design Full Floating  
**REAR AXLE CAPACITY** : 7,700 kg

**SUSPENSION**

**FRONT** : Semi-elliptical Alloy Steel, Hydraulic Double Acting Telescopic Shock Absorber  
**SPRING TYPE** : Multi-Leaf Springs  
**REAR** : Semi-elliptical Alloy Steel  
**SPRING TYPE** : Multi-Leaf Springs

**BRAKES**

**FRONT** : Drum Brakes  
**SIZE** : Φ410 x 115  
**REAR** : Drum Brakes  
**SIZE** : Φ410 x 140  
**SYSTEM** : Air Over Hydraulic (AOH), Dual Circuit, Front & Rear Leading Trailing  
**P. BRAKE** : Mechanical Expansion Type, Located at the Rear End of Transmission  
**AUXILIARY** : Exhaust Brake

**STEERING**

**POSITION** : RHS  
**BOOSTER** : Hydraulic Integral Recirculating Ball

**WHEELS AND TYRES**

**WHEEL** : 22.5 x 6.75  
**TYRE** : 9R22.5-14PR  
**SPARE TYRE** : Frame Mounted Spare Wheel and Tyre Assembly

**CHASSIS FRAME**

TYPE	: Ladder Type Channel Section
CROSS SECTION DIMNESION(mm)	: 229 x 71 x 8.0
REAR FRAME WIDTH(mm)	: 840
MATERIAL	: JSH440J

**ELECTRICAL SYTEM**

OPERATING VOLTAGE	: 24 V
ALTERNATOR	: 50 A

**WEIGHTS & CAPACITIES**

GROSS VEHICLE WEIGHT	: 11,000 kg
CURB WEIGHT	: 3,680 kg
FRONT	: 2,236 kg
REAR	: 1,444 kg

**FUEL TANK**

CAPACITY	: 200 L
POSITION	: Left Side
MATERIAL	: Steel
FUEL CAP	: Lockable

**CABIN SPECIFICATIONS****CAB EXTERIOR**

- High tensile steel cab under frame.
- Manual cab tilt to 45° with torsion bar assist.
- 90° wide door opening with bigger side step.
- Heavy duty non slip entry steps.
- Internally reinforced front doors.
- Bumper mounted halogen headlamps with turning lamps and fog lamps.
- Door mounted side turning lamps.
- Combination brake, turn, reverse, fog & registration plate lamps.
- Roof mounted marker lamps.
- Six rear view mirrors.
- Body colored radiator grill & front bumper.
- Front Under Run Protector.
- Front LID opening for basic maintenance.
- Front Wheel Cover.

**CAB INTERIOR**

- 3 Seating capacity with fabric seat covers.
- Air suspension driver seat with adjustable seating positioning.
- Reclinable passenger seat.
- Foldable center seat with storage compartment.
- Seatbelt on driver & both passenger.
- Bed mattress (650mm width).
- Pillar egress assist grip.
- Energy absorbing, tilt & telescopic adjustable steering column.
- Electric power window & central locking system.

- Double cup holders, 24V cigarette lighter & dashboard hook.
- DIN sized compartment for storage or for accessory & GPS unit installation.
- Air conditioning with 4-speed fan & adjustable vent for windscreen, face & floor.
- Interior trim, padded roof lining and vinyl floor covering.
- Driver header storage shelf & passenger glovebox.
- Front door mounted storage pockets and driver's side ashtray.
- Fluorescent interior lamp with On/Door/Off switch.
- Radio & CD player with 2 speakers.

**DRIVER CONTROL**

- Engine idle speed control.
- Fog lamp switch on dashboard panel.
- Manual headlamp leveling knob.
- Left side combination switch: Windscreen wipers, washers & exhaust brake.
- Right side combination switch: Headlamp, turn signal & rear fog lamp.

**INSTRUMENT CLUSTER**

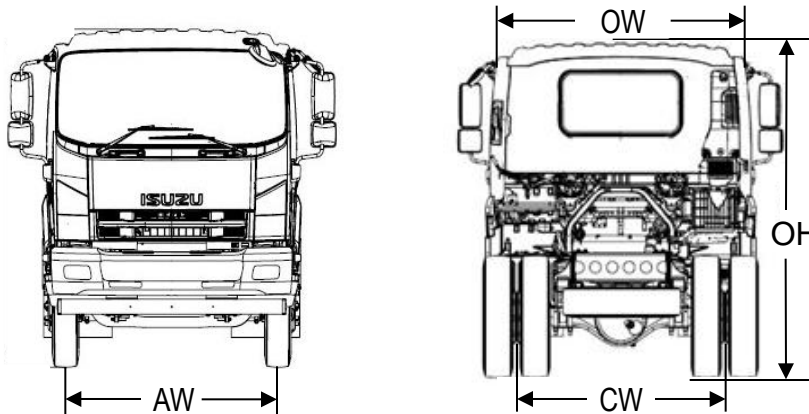
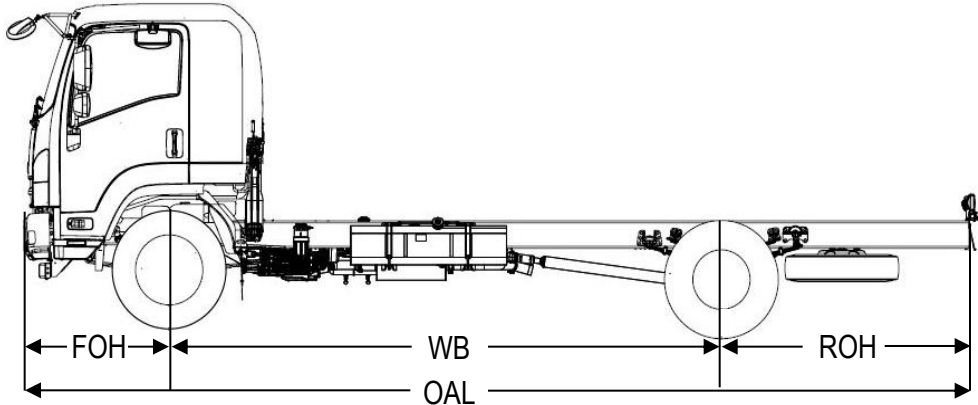
- Electrically driven speedometer & tachometer.
- Digital odometer with integrated tripmeter.
- Engine coolant, fuel level and air pressure gauge.
- Warning light: Check engine, alternator charging, service brake, parking brake, engine oil level low.
- Indicator light: High beam, exhaust brake, turn signals.

# ISUZU

## FSR PRO – FSR90SU-NC-2E

### SPECIFICATIONS

VEHICLE MODEL	Standard Vehicle Dimension (mm)							
	LENGTH				WIDTH			HEIGHT
	Overall Length OAL	Standard Wheelbase WB	Front Overhang FOH	Rear Overhang ROH	Overall Width OW	Front Tread AW	Rear Tread CW	Overall Height OH
FSR90SU-NC-2E	8,315	4,770	1,255	2,290	2,200	1,795	1,700	2,685



### WARRANTY



\* Warranty for accessories might be varies

### FREE SERVICE



### DOCTOR MOBILE



Reliable support  
with round-the-clock  
business operation.

1-800-88-8000



# ISUZU

ISUZU MALAYSIA SDN BHD (664946-H)

501D, LEVEL 5, TOWER D, UPTOWN 5,  
NO 5, JALAN SS21/39, DAMANSARA UPTOWN,  
47400 PETALING JAYA, SELANGOR DARUL EHSAN.

GENERAL LINE: 03-7723 9777 FAX: 03-7723 9779

HOTLINE: 1-300-88-1133 [www.isuzu.net.my](http://www.isuzu.net.my)