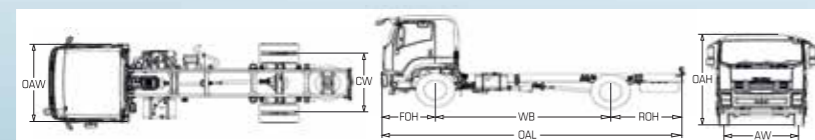


SPECIFICATION		FVRAUTO
MODEL CODE		FVR34UU-MDP-2E
Drive Train		4 x 2
<b>ENGINE</b>		
Model		6HK1-TCN
Type		6-Cylinder In-line, 4 Cycle, Water-Cooled, OHC, Turbocharger with Intercooler
Displacement	cc	7,790
Bore x Stroke	mm	115 x 125
Maximum Output	kW (PS)@rpm	177 (240) @ 2,400
Maximum Torque	Nm (kgm)@rpm	706 (72) @ 1,450
Emission Level		Euro 2
Fuel System		Common Rail Direct Injection
<b>TRANSMISSION</b>		
Model / No. of Speed		ALLISON MD3000 / 6-Speed Automatic
Gear Ratio	1st	3.486
	2nd	1.864
	3rd	1.409
	4th	1.000
	5th	0.749
	6th	0.652
	Reverse	5.027
Final	6.833	
<b>WEIGHT &amp; CAPACITIES</b>		
Gross Vehicle Weight	kg	18,000
Curb Weight	kg	5,012
Front	kg	3,161
Rear	kg	1,851
Fuel Tank Capacity	l	200
<b>AXLE</b>		
Front	Type	Reverse Elliot, I Beam
Front Axle Capacity (Design)	kg	6,300
Rear	Type	Single Reduction Banjo Design, Full Floating
Rear Axle Capacity (Design)	kg	13,000
<b>SUSPENSION SYSTEM</b>		
Suspension	Front	Semi Elliptical Alloy Steel Leaf Springs, Hydraulic Double Acting Telescopic Shock Absorber
	Rear	Semi Elliptical Alloy Steel Leaf Springs
<b>TYRES &amp; WHEELS</b>		
Tyres		11R22.5-16PR
Wheels		22.5 x 8.25 (ISO 10 Studs)
<b>BRAKES</b>		
Service		Full Air with Auto Adjuster, Dual Circuit
Parking Brake Type		Spring Acting, Rear Wheel Parking
Auxiliary		Exhaust Brake
<b>STEERING</b>		
Steering System		Power assisted, Hydraulic Integral, Recirculating Ball, Energy absorbing, Tilt & Telescopic Column
Min. Turning Radius	m	7.7
<b>ELECTRICAL</b>		
Battery		12V x 2
Alternator		24V-50A
<b>DIMENSION</b>		
Overall Length	OAL mm	8,175
Overall Width	OAW mm	2,400
Overall Height	OAH mm	2,810
Wheelbase	WB mm	4,650
Front Overhang	FOH mm	1,440
Rear Overhang	ROH mm	2,085
Front Tread	AW mm	1,970
Rear Tread	CW mm	1,850

# ISUZU

# FORWARD



Isuzu Malaysia Sdn. Bhd. is engaged in an ongoing research and development programme, and reserves the right to change specifications, resulting in advancements or technical refinements, without prior notice. All product specifications are within normal manufacturing allowances and tolerances.

**ISUZU**

ISUZU MALAYSIA SDN BHD (664946-H)  
 501D, LEVEL 5, TOWER D, UPTOWN 5, NO.5, JALAN SS21/39,  
 DAMANSARA UPTOWN, 47400 PETALING JAYA, SELANGOR DARUL EHSAN.  
 GENERAL LINE: 03-7723 9777 FAX: 03-7723 9779  
 HOTLINE: 1-300-88-1133 www.isuzu.net.my

Dealer's information

**FREE SERVICE CAMPAIGN**  
 UP TO 100,000km\*  
\*Terms and Conditions apply.  
**ISUZU**

**WARRANTY**  
**3 YEARS**  
 100,000KM  
(whichever comes first)

**ISUZU DOCTOR MOBILE**  
**24 HOURS**

Reliable support with round-the-clock business operation.

1-800-88-8000

\*\*\* FULL AIR BRAKE \*\*\*  
**AUTO ADJUSTER**

**4 x 2 RIGID**

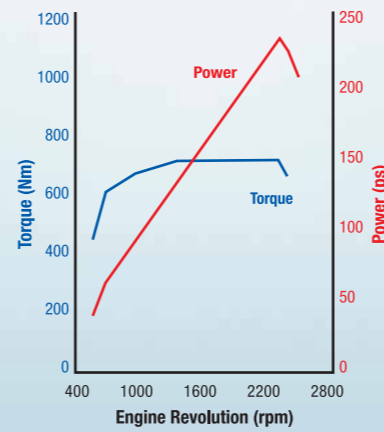
**FVR AUTO**  
 GVW 18,000kg

## PERFORMANCE

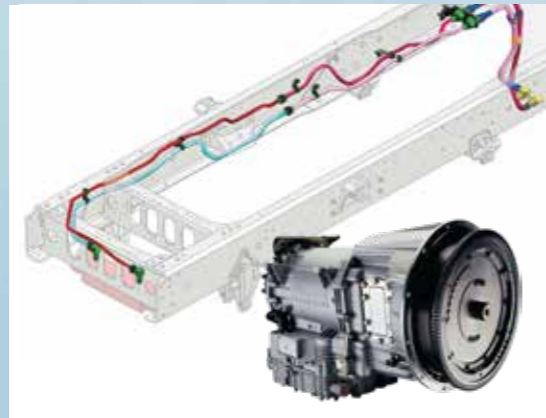


### FVR AUTO

**6HK1-TCN**  
 HEAVY DUTY COMMONRAIL  
 Displacement: 7,790cc  
 Max. Output: 240ps @2,400rpm  
 Max. Torque: 706Nm (72kgm) @1,450rpm



▲ Deeper final ratio 6.833.



▲ Factory fitted Allison MD3000 automatic transmission and water cooled Automatic Transmission Fluid (ATF) cooler.



▲ Hot Shift PTO with external speed controller and safety features.

## EXTERIOR

▼ New chrome fang grille.



▼ Quick access panel. Designed for convenience, inspecting or replacing clutch fluid, wiper fluid and cabin air filter can be done quickly and safely.



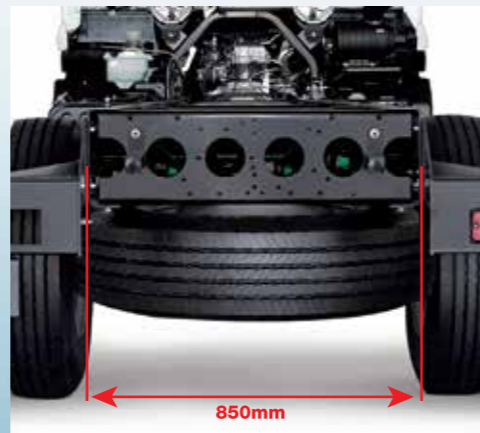
▼ Strong chassis frame.



▲ Wider rear leaf spring (100mm).



▲ Bigger rear axle capacity (13 ton).



▲ Wide chassis frame 850mm.

## INTERIOR



▲ Ergonomic instrument panel design with ample storage compartments.

▼ Spacious and comfortable cabin.



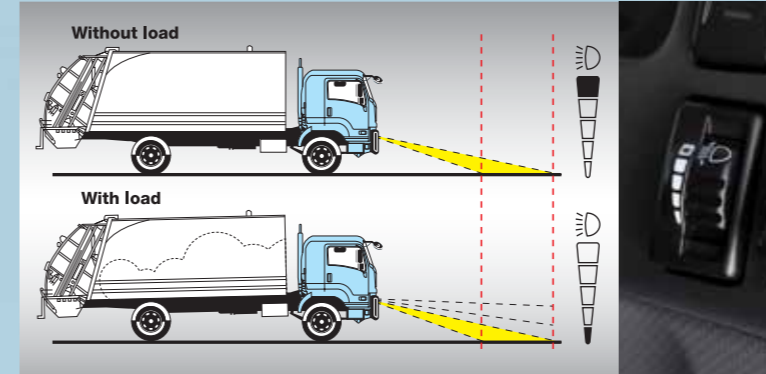
▼ Air suspension driver's seat.



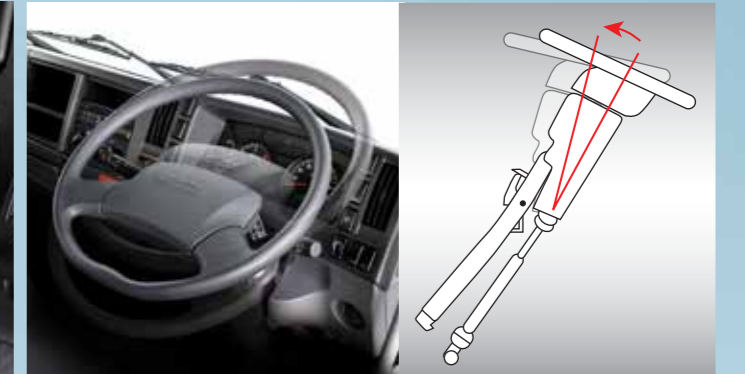
▲ Allison electronic control with digital display.

## SAFETY

▼ Headlight leveling. Preferred headlight beam position can be maintained when truck is loaded and when it has no load.



▼ Energy absorbing steering wheel and column.



▲ Door impact beam with high tensile strength reinforcement frame.

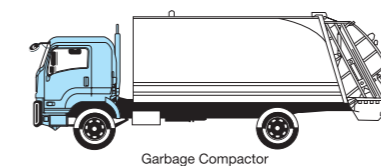


▲ High rigidity cab with cation electrodepositing coating.



▲ Full air brakes with auto adjuster.

## BODY APPLICATION



Garbage Compactor

### MODEL

**FVR AUTO**

FVR34UU-MDP-2E

Capacity

m<sup>3</sup>

16'

\*Body length may vary according to rear body type application. Refer to ISUZU authorised drawing plan for actual body length at ISUZU dealers. Pictures shown are for illustration purposes only.