

ISUZU

SPECIFICATIONS

FVZ PRO – FVZ34SU-PD-2E



* Actual vehicle specification may vary from picture shown above.

NO.1 COMMERCIAL VEHICLE BRAND IN MALAYSIA

OVERVIEW

GVW : 26,000 kg

POWER : 285 PS @ 2,400 rpm

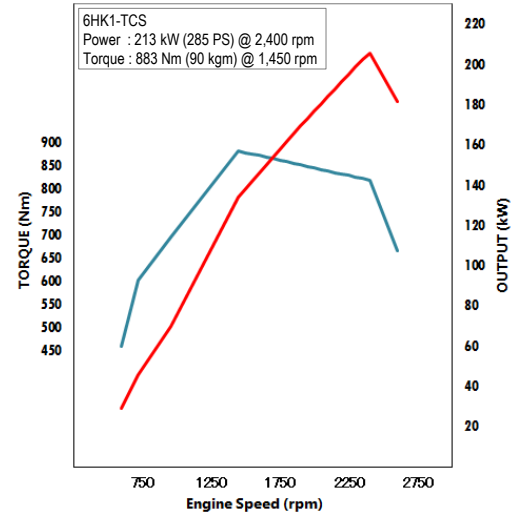
TORQUE : 883 Nm @ 1,450 rpm

- Emission: EURO 2
- Turbocharger with Intercooler
- Common Rail Direct Injection
- JPJ STEP 2 ECE Compliance

POWERTRAIN & CHASSIS

ENGINE

CODE : ISUZU 6HK1-TCS
TYPE : 6 Cylinder In-line, OHC,
DISPLACEMENT : 7,790 cc
COMPRESSION RATIO : 17.5:1
BORE x STROKE : 115 mm x 125 mm
MAX. POWER : 213 kW (285 PS) @ 2,400 rpm
MAX. TORQUE : 883 Nm (90 kgm) @ 1,450 rpm
INDUCTION SYSTEM : Turbocharger with Intercooler
FUEL INJECTION : Direct Injection with Common Rail
EMISSION : EURO 2
SPEED LIMITER : Equipped 90 km/h



TRANSMISSION

CODE : ZF9S 1115TD
NO. OF SPEED : 9 Speed Manual

GEAR RATIOS [:1]

C	1 ST	2 ND	3 RD	4 TH	5 TH	6 TH	7 TH	8 TH	Reverse	Final
12.728	8.829	6.281	4.644	3.478	2.538	1.806	1.335	1.000	12.040	6.143

CLUTCH

TYPE : Dry Single Plate, Diaphragm Spring
SIZE : Φ380

AXLES

FRONT TYPE : Reverse Elliot I-Beam
FRONT AXLE CAPACITY : 6,300
REAR TYPE : Banjo, Full Floating
REAR AXLE CAPACITY : 21,000

SUSPENSION

FRONT SPRING TYPE : Semi-elliptical Alloy Steel Multi-Leaf Spring
REAR SPRING TYPE : Semi-elliptical Alloy Steel Multi-Leaf spring with Trunnion Torque Rods

BRAKES

FRONT SIZE : Drum Brakes Φ410 x 140
REAR SIZE : Drum Brakes Φ410 x 220
SYSTEM P. BRAKE : Air Over Hydraulic Mechanical Expansion Type, Rear End of Transmission

STEERING

POSITION : RHS
BOOSTER : Hydraulic Integral Recirculating ball

WHEELS AND TYRES

WHEEL : 22.5x 8.25
TYRE : 11R22.5-16PR
SPARE TYRE : Frame Mounted Spare Wheel and Tire Assembly



FVZ PRO – FVZ34SU-PD-2E

SPECIFICATIONS

CHASSIS FRAME

TYPE	: Ladder Type Channel Section
CROSS SECTION DIMENSION (mm)	: 258 x 85 x 10
MATERIAL	: JSH440J

FUEL TANK

CAPACITY	: 200L
POSITION	: Left side
MATERIAL	: Steel

ELECTRICAL SYTEM

OPERATING VOLTAGE	: 24 V
ALTERNATOR	: 50A
STARTING SYSTEM	: 5.1kW starter motor

CABIN SPECIFICATIONS

CAB EXTERIOR

- Steel construction. High tensile steel cab under frame.
- Manual cab tilt to 45° with torsion bar assist.
- 90° wide door opening with bigger side steps.
- 2 speed windscreen wipers.
- Halogen multi-reflector headlamps. incorporating turn signals.
- Fog lamps on front bumper.
- Body colored front bumper.
- Rear Fog Lamp.

CAB INTERIOR

- Adjustable driver's and passenger seat
- Center tilt able passenger seat with compartment.
- Seatbelt on driver & both passenger.
- Pillar egress assist grip.
- Tilt & telescopic steering column.
- Manual power window.
- Double cup holders, 24V cigarette lighter dashboard hook.

- Front door mounted storage pockets & driver's side ash tray.
- DIN size compartment for radio or GPS installation.

DRIVER CONTROL

- Key operated engine start/stop.
- Engine idle speed control.
- Fog lamp switch on dashboard panel
- Left side combination stalk:
Wipers, washers & exhaust brake.
- Right side combination stalk:
Headlamp & turn signal.
- Manual headlamp leveling knob.

INSTRUMENT CLUSTER

- Analog display speedometer & tachometer.
- Analog display of coolant temperature & fuel level gauges.
- Warning light: Check engine, alternator charging, fuel filter clog indicator, parking brake, engine oil level.
- Indicator light: High beam, exhaust brake, turn signals.

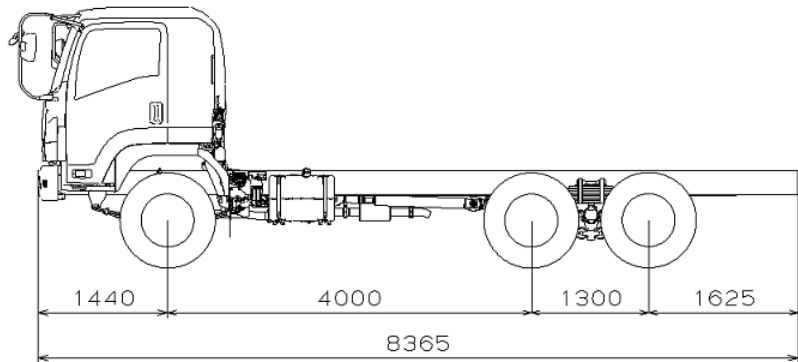
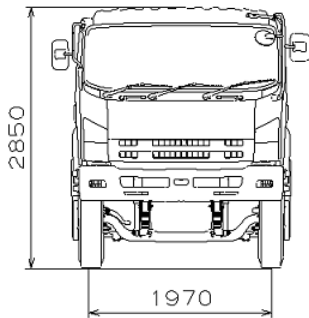
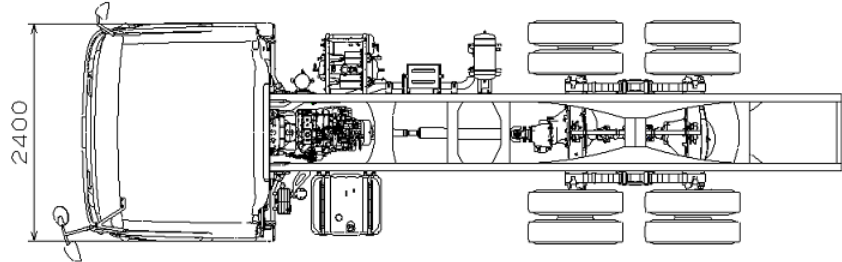
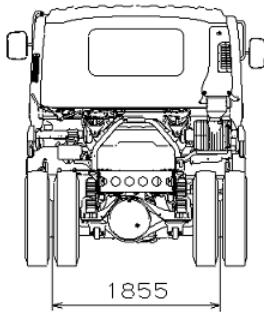
FVZ PRO – FVZ34SU-PD-2E

ISUZU

SPECIFICATIONS

Standard Vehicle Dimension (mm)

VEHICLE MODEL	LENGTH				WIDTH			HEIGHT	
	OAL	WB	FOH	ROH	OAW	CW	AW	OAH	HH
FVZ34SU-PD-2E	8,365	4,000 + 1,300	1,440	1,625	2,400	1,855	1,970	2,850	260



Reliable support
with round-the-clock
business operation.
1-800-88-8000



**FREE
SERVICE CAMPAIGN**



UP TO 100,000km*
*Terms and Conditions apply.

ISUZU

WARRANTY

3

**YEARS OR
100,000KM**
whichever comes first

• ISUZU MALAYSIA SDN. BHD PROVIDES 3 YEARS OR 100,000KM (whichever come first) WARRANTY PERIOD FOR ALL HEAVY DUTY SEGMENT TRUCKS.

* Warranty for accessories might be varies

ISUZU

ISUZU MALAYSIA SDN BHD (664946-H)
501D, LEVEL 5, TOWER D, UPTOWN 5,
NO 5, JALAN SS21/39, DAMANSARA UPTOWN,
47400 PETALING JAYA, SELANGOR DARUL EHSAN.
GENERAL LINE: 03-7723 9777 FAX: 03-7723 9779
HOTLINE: 1-300-88-1133 www.isuzu.net.my